



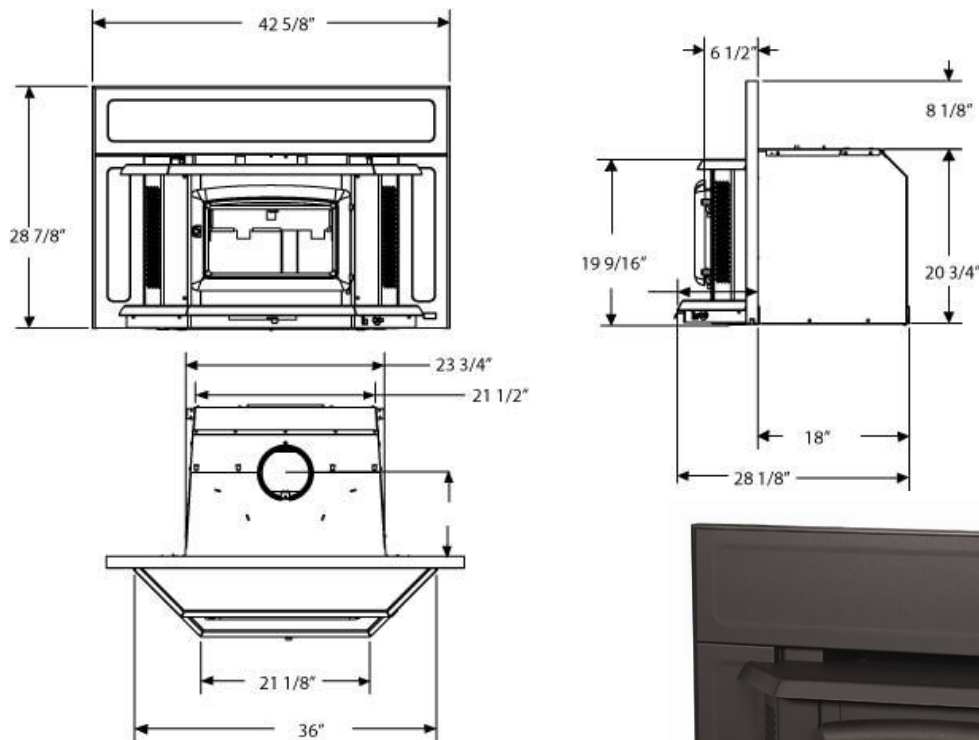
Product NEWS

April 2009

Exclusively for Pacific Energy Distributors

The **NEW SUPER INSERT**

is now in stock and available for shipment!



The **NEW Super Insert** offers greater installation possibilities, enhanced air flow and upgraded aesthetics over the Pacific Insert it is replacing. It does, however, use our legendary D1 firebox design complete with floating firebox components.



SPND.BODYA

PACIFIC ENERGY FIREPLACE PRODUCTS LTD.

◆ Toll Free: 1-866-881-2441 ◆ Fax: 1-866-881-2449 ◆
◆ Web: www.pacificenergy.net ◆ E-Mail: rsidoroff@pacificenergy.net ◆
Pacific Energy ◆ 2975 Allenby Road ◆ Duncan, BC, Canada ◆ V9L 6V8